



jGun® DIGITAL Pneumatic Torque Tool

The jGun DIGITAL from HYTORC is the world's first torque-adjustable pneumatic multiplier with a digital readout and FRL-free operation. Unlike other systems that require a separate filter, regulator and lubrication system between the air line and the tool, the patented design of the jGun DIGITAL eliminates the need for this add-on for the highest level of portability and convenience.

DIGITAL READOUT



The jGun DIGITAL is the world's first torque-adjustable pneumatic multiplier with a digital readout and FRL-free operation. Unlike other systems that require a separate filter, regulator and lubrication system, the patented design of the jGun DIGITAL eliminates the need for this add-on for the highest level of portability and convenience.

BUILT-IN TORQUE ADJUSTMENT

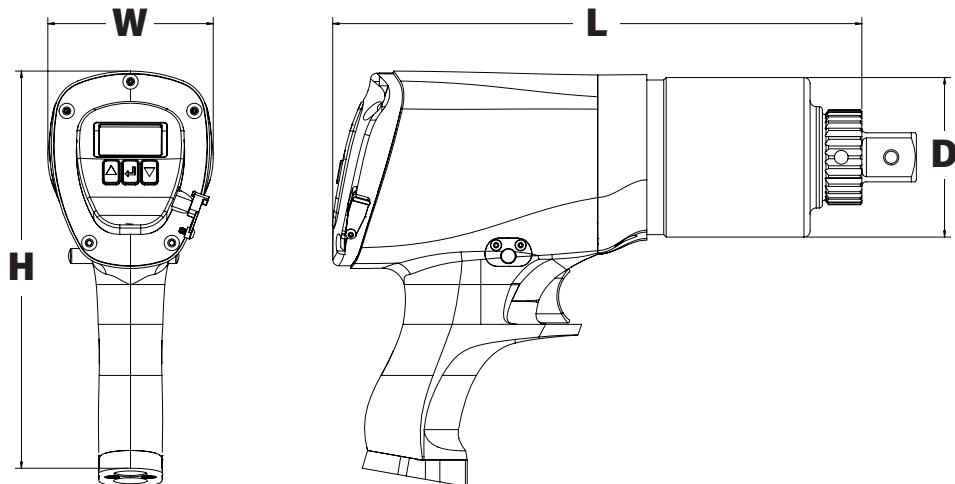


The jGun DIGITAL is the first of its kind with an onboard air regulator for simple torque adjustment with a twist of the connector at the bottom of the handle. Especially convenient when switching from tightening to loosening, giving you the ability to quickly adjust to full power for fast and easy break-out.

INDUSTRIAL-GRADE MOTOR



The new motor featured in the jGun DIGITAL is a workhorse designed for heavy industrial use. With maximum power-to-weight ratio and a rugged corrosion-resistant design, this motor eliminates the need for separate air filters and lubrication systems, making the jGun DIGITAL the most portable air powered torque gun on the market.



LEGEND: H = HEIGHT W = WIDTH L = LENGTH D = OUTER DIAMETER OF GEARBOX

MODEL NUMBER	H	W	L	D	SQUARE DRIVE	WEIGHT	TORQUE		RPM
IMPERIAL	in.					lbs.	ft-lbs (Min)	ft-lbs (Max)	
DJ - .25	7.87	3.15	7.92	2.50	0.75	8.25	60	250	65.0
DJ - .5	7.87	3.15	8.94	2.58	0.75	8.85	185	500	24.0
DJ - 1	7.87	3.15	9.74	2.58	0.75	9.80	350	1,175	6.5
DJ - 2	8.41	3.37	11.90	3.25	1.00	16.50	575	2,090	5.5
DJ - 3	8.41	3.37	12.57	3.25	1.00	17.70	856	3,180	5.0
DJ - 5	8.72	3.37	14.04	4.15	1.50	28.30	1,395	5,050	2.5
DJ - 8	8.93	3.37	15.10	4.56	1.50	38.40	2,300	7,900	1.5

METRIC	mm					kg	Nm (Min)	Nm (Max)	RPM
DJ - .25	200	80	201	64	19	3.75	81	339	65.0
DJ - .5	200	80	227	66	19	4.02	251	678	24.0
DJ - 1	200	80	247	66	19	4.45	475	1592	6.5
DJ - 2	214	86	302	83	25	7.50	780	2832	5.5
DJ - 3	214	86	319	83	25	8.05	1161	4309	5.0
DJ - 5	221	86	357	105	38	12.86	1891	6843	2.5
DJ - 8	227	86	384	116	38	17.45	3118	10705	1.5

The World's Most Trusted Industrial Bolting Systems



Headquarters:
333 Route 17 N., Mahwah, NJ 07430
+1-201-512-9500

Email:
info@hytorc.com

Phone:
1-800-FOR-HYTORC

Online:
hytorc.com