



## LION GUN® Electric Torque Tool

The LION GUN is the world's first affordable precision bolting system with built-in data recording. Set your desired torque output on the LION GUN's display and pull the trigger to get precise, repeatable torque without excessive noise or vibration.

### INDUSTRIAL-GRADE POWER



The LION GUN's industrial-strength gearbox is driven by a brushless DC motor connected to a non-impacting gearbox to deliver torque faster, smoother and more reliably than manual clicker wrenches, impact wrenches and other tightening tools.

### UNMATCHED PORTABILITY

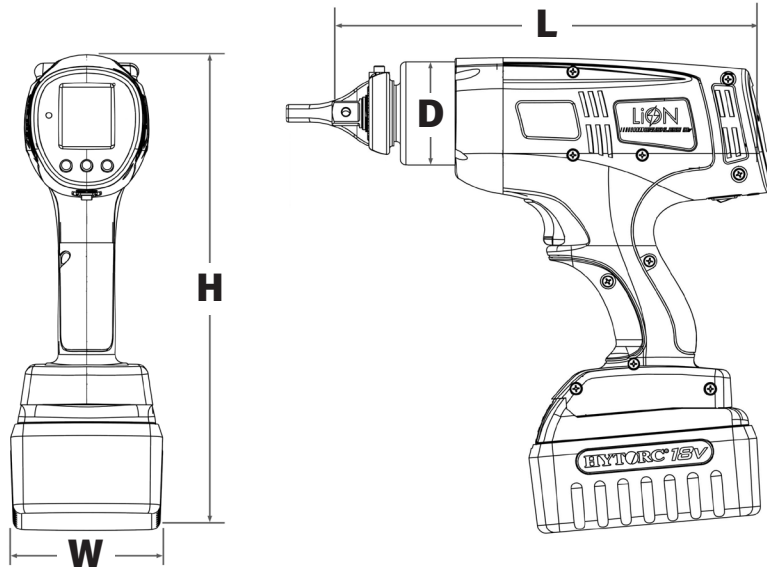


Through the use of aerospace-grade alloys, the LION GUN packs tremendous power without the weight. The 18-Volt lithium-ion battery provides long lasting operation with a quick recharge time to keep the job going.

### DATA RECORDING



Built-in data recording capability allows the user to maintain a log of all completed bolting jobs. For improved quality control and accountability, the information can be saved to a PC or tablet to provide a permanent record of the work performed.



**LEGEND:** H = HEIGHT W = WIDTH L = LENGTH D = DIAMETER

MODEL NUMBER	H	W	L	D	SQUARE DRIVE	WEIGHT	TORQUE		RPM
IMPERIAL	in.					lbs.	ft-lbs (Min)	ft-lbs (Max)	
LION - .25	10.83	3.47	10.16	2.35	0.50	7.30	25	250	11.6
LION - .7	10.83	3.47	11.13	2.45	0.75	8.22	150	700	4.1
METRIC	mm					kg	Nm (Min)	Nm (Max)	RPM
LION - .25	275	88	258	60	13	3.32	34	339	11.6
LION - .7	275	88	283	62	19	3.74	203	949	4.1

The World's Most Trusted Industrial Bolting Systems

**HYTORC**

**Headquarters:**  
333 Route 17 N., Mahwah, NJ 07430  
+1-201-512-9500

**Email:**  
info@hytorc.com

**Phone:**  
1-800-FOR-HYTORC

**Online:**  
hytorc.com